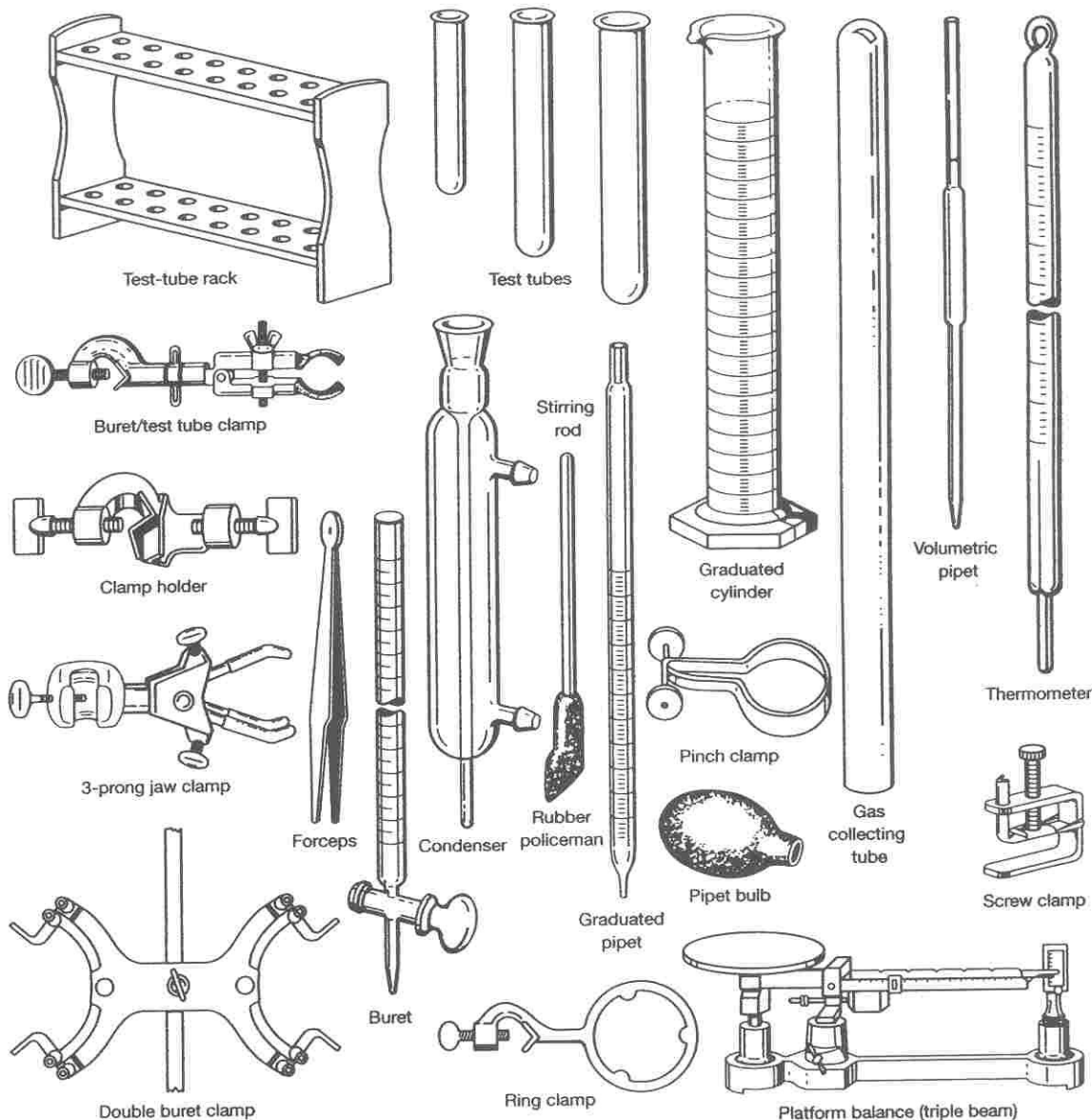


Equipment Sheet Side 1



Plastic wash bottle: flexible plastic; squeeze sides to dispense water.

Platform balance: also known as a triple-beam balance.

Pneumatic trough: galvanized container with shelf; used in experiments where a gas is collected.

Ring stand: metal rod fixed upright in a heavy metal base; has many uses as a support.

Rubber stoppers: several sizes.

Rubber tubing: used to connect apparatus to transfer liquids or gases.

Safety goggles: plastic; must be worn at all times while working in the laboratory.

Screw clamp, pinch clamp: metal; used to block off rubber tubing.

Spatula, scoopula: metal or porcelain; used to transfer solid chemicals; the scoopula has a larger capacity.

Stirring rod and rubber policeman: glass with rubber sleeve; used to stir, assist in pouring liquids, and for removing precipitates from a container.

Test-tube brush: bristles with wire handle; used to scrub small-diameter glassware.

Test-tube holder: spring metal; used to hold test tubes or glass tubing.

Test-tube rack: wood or plastic; holds test tubes in a vertical position.

Test tubes: glass; common sizes small (13 mm × 100 mm), medium (20 mm × 150 mm), large (25 × 200 mm); may be heated.

Thermometer: mercury in glass; common range -10 °C to 110 °C.

Triangular file: metal; used to scratch glass tubing prior to breaking to desired length.

Tripod: iron; used to support containers of chemicals above the flame of a burner.

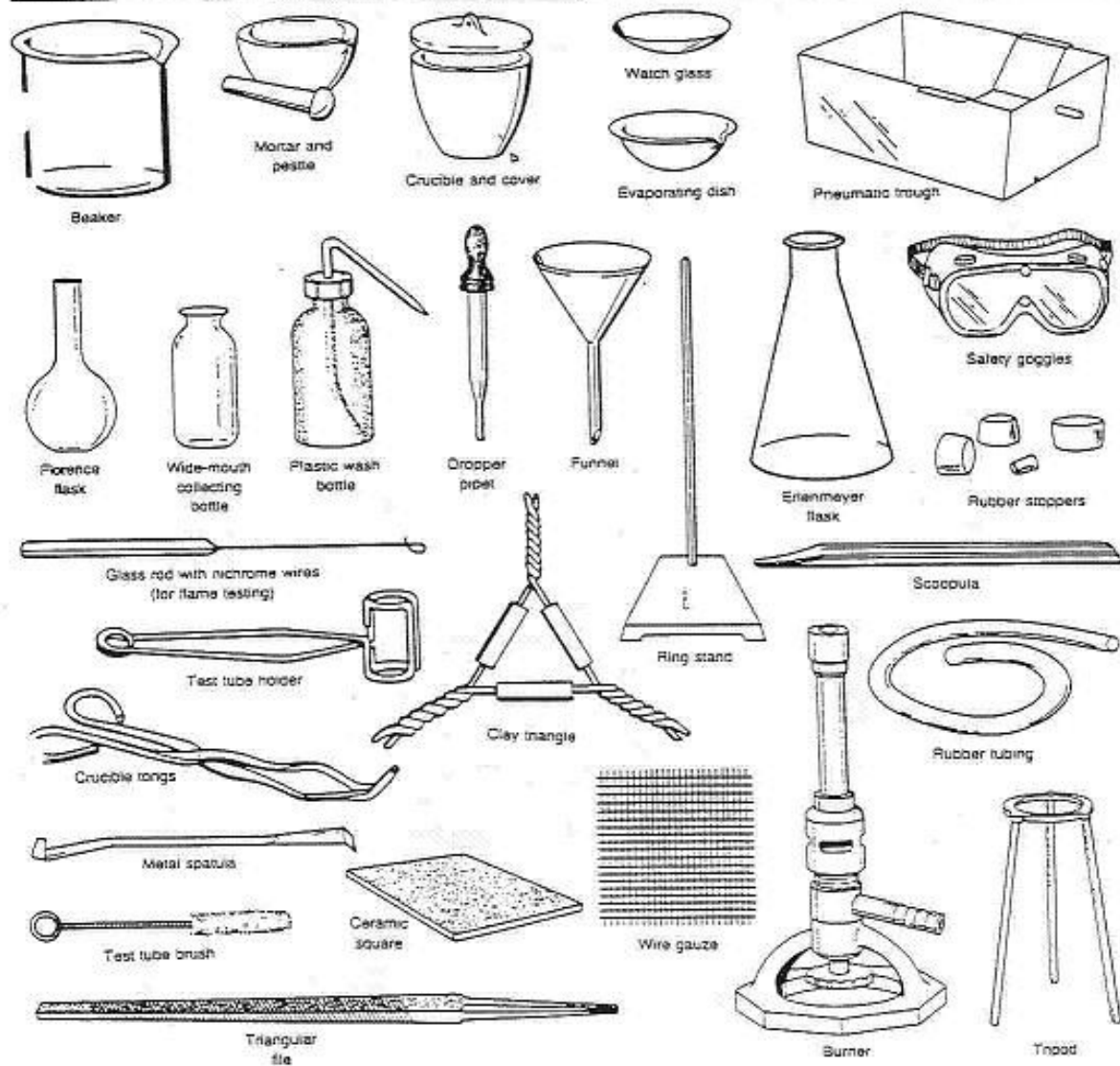
Volumetric pipet: glass; common sizes are 10 mL, 25 mL; used to measure solution volumes accurately; must not be heated.

Watch glass: glass; used to cover an evaporating dish or beaker.

Wide-mouth bottle: glass; used with pneumatic trough.

Wire gauze: used to spread the heat of a burner flame.

Laboratory Equipment



Beaker: glass or plastic; common sizes are 50-mL, 100-mL, 250-mL, 400-mL; glass beakers may be heated.

Buret: glass; common sizes are 25-mL, and 50-mL; used to measure volumes of solutions in titrations.

Ceramic square: used under hot apparatus or glassware.

Clamps: the following types of clamps may be fastened to support apparatus: buret/test-tube clamp, clamp holder, double buret clamp, ring clamp, 3-pronged jaw clamp.

Clay triangle: wire frame with porcelain supports, used to support a crucible.

Condenser: glass; used in distillation procedures.

Crucible and cover: porcelain, used to heat small amounts of solid substances at high temperatures.

Crucible tongs: iron or nickel, used to pick up and hold small items.

Dropper pipet: glass tip with rubber bulb, used to transfer small volumes of liquid.

Erlenmeyer flask: glass, common sizes are 100-mL, 250-mL; may be heated, used in titrations.

Evaporating dish: porcelain, used to contain small volumes of liquid being evaporated.

Florence flask: glass, common sizes are 125-mL, 250-mL, 500-mL; may be heated, used in making and for storing solutions.

Forceps: metal, used to hold or pick up small objects.

Funnel: glass or plastic, common size holds 12.5-cm diameter filter paper.

Gas burner: constructed of metal; connected to a gas supply with rubber tubing; used to heat chemicals (dry or in solution) in beakers, test tubes, and crucibles.

Gas collecting tube: glass, marked in mL intervals; used to measure gas volumes.

Glass rod with nichrome wire: used in flame tests.

Graduated cylinder: glass or plastic, common sizes are 10-mL, 50-mL, 100-mL, used to measure approximate volumes; must not be heated.

Graduated pipet: glass, common sizes are 10-mL, 25-mL; used to measure solution volumes; less accurate than a volumetric pipet.

